



CST 134

BODY SPECIFICATIONS

Standard Construction

- Bulkhead (non-ribbed) 14 ga. galvaneal steel
- Crossmember-front 7 ga. hot-rolled formed channels
- Crossmember-intermediate 12 ga. galvaneal steel
- Crossmember-rear 7 ga. hot-rolled formed channels
- Compartment Bottoms 16 ga. galvaneal steel
- Compartment Tops 14 ga. galvaneal steel (one-piece integral w/loadspace centers)
- Doors 16 ga. galvaneal steel double panel
- End panels-front 14 ga. galvaneal steel
- End panels-rear 14 ga. galvaneal steel
- Fender panels 16 ga. galvaneal steel
- Floor 12 ga. embossed galvaneal treadplate
- Loadspace inside centers 14 ga. galvaneal steel (one-piece integral w/compartment tops)
- Intermediate panels 16 ga. galvaneal steel
- Longitudinals 10 ga. galvaneal formed
- Shelving 14 ga. high-spangle galvanized (250 lb. static load cap.)
- Tailgate 16 ga. galvaneal (double panel, formed construction)
- A-40 galvaneal construction. Two-sided zinc coated galvaneal (.40 oz. zinc coating per square foot of steel) provides maximum rust and corrosion resistance.
- Body sides are constructed using plated lock-bolt fasteners.
- Floor understructure rigidly welded for structural integrity and durability. Mounting points reinforced w/U-channel gussets.



Body pictured with optional Recessed Punched Bumper with surface-mounted LED 3-in-1 Body Light Kit and Aluminum Fuel Fill

Covered by STAHL's



CST 134

STANDARD FEATURES

For Customer Service Call:
1.800.277.8245
stahltruckbodies.com/contact

Construction – Lock-bolt to provide unbeatable durability, eliminates rust-causing welding and grinding, and promotes corrosion-free, long-lasting product. Floor understructure rigidly welded for structural integrity and undercoated for superior rust protection.

Compartment Tops – Smooth seamless surface to enhance appearance.

Cutouts – Openings in intermediate panels between horizontal and adjacent vertical compartments provides extended storage between compartments.

Door Hinges – Concealed, bolt-on style provides increased security and clean appearance

Door Latches – Bolt-on rotary style with stainless steel paddle handles and stainless steel pans.

Lock Cylinders – are keyed alike with double-bitted keys and are power door lock ready for easy after-market installation.

Door Striker – Adjustable, bolt-on.

Vertical Doors – Spring-loaded door holders to hold doors in the fully open position and assist in closing.

Horizontal Doors – Use vinyl coated aircraft quality cables for support in open position.

Automotive Style Door Seal – STAHL-engineered clip-on to allow easy removal for painting, replacement and quicker installation. Door seals against a flat surface for extra protection against water leakage.

Drip Rail – Concealed to provide extra protection against water leakage.

Fender Panels – Bolt-on die-stamped with radius wheel opening.

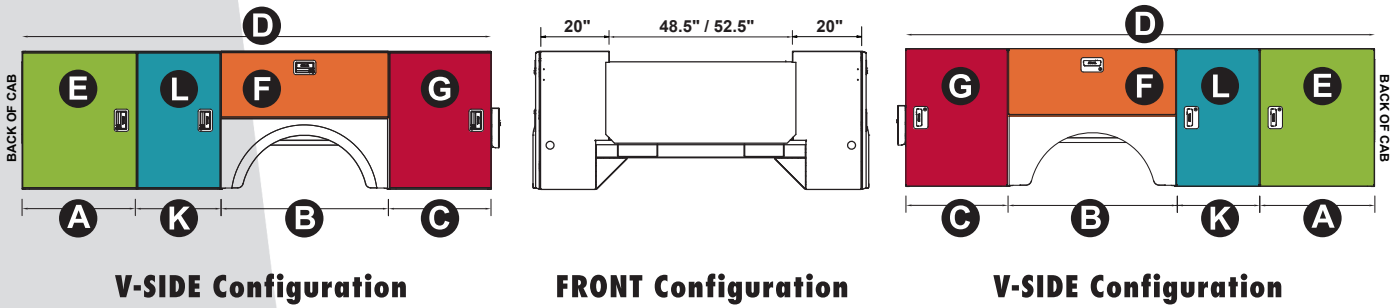
Tailgate – Two point slam-locking featuring anti-rack/rattle hardware.

Compartment Trays – Bolt-in material trays with dividers.

Powder Coat Finish – Body exterior, compartment interiors, and cargo area surfaces are finished in a durable, corrosion resistant white powder coat.

Undercoating – On bottom of floor and wheel wells.

Compartment Layout*



*Side compartment overall height is 39.57"

Dimensional Data

Dual Rear Wheel (DRW) – “V-Side” Compartment Dimensions

| MODEL | APPROX. WT. | CAB-TO-AXLE | FLOOR WIDTH | A | K | B | C | D | COMPARTMENT CLEAR DOOR OPENINGS (WIDTH" x HEIGHT") | | | |
|-----------|-------------|-------------|-------------|--------|--------|--------|--------|------|--|-----------------|-----------------|-----------------|
| | | | | | | | | | E | L | F | G |
| CST134VVD | 1,425 lbs. | 84" | 48.5" | 33.44" | 24.00" | 47.19" | 29.81" | 134" | 28.94" x 36.37" | 19.69" x 36.37" | 45.31" x 14.94" | 25.56" x 36.37" |
| CST134VVD | 1,465 lbs. | 84" | 52.5" | 33.44" | 24.00" | 47.19" | 29.81" | 134" | 28.94" x 36.37" | 19.69" x 36.37" | 45.31" x 14.94" | 25.56" x 36.37" |

Compartmental Tray Configurations

CST134 (V-Side Configurations)

| COMPARTMENT | CURBSIDE COMPARTMENTATION | STREETSIDE COMPARTMENTATION |
|-----------------|------------------------------------|------------------------------------|
| Front Vertical | (2) adjustable trays with dividers | (2) adjustable trays with dividers |
| Second Vertical | (2) adjustable trays with dividers | (2) adjustable trays with dividers |
| Horizontal | (1) adjustable tray with dividers | Open |
| Rear Vertical | (1) adjustable tray with dividers | (1) adjustable tray with dividers |

For other CST134 models and dimensional data visit our website: stahltruckbodies.com/CST

OPTIONAL FEATURES

- Amber Strobe Light Kits
- Back Up Alarms
- Bar Lock (Master Locking Sys.)
- Bumpers
- Compartment Strip Light Kit – LED
- Crane Reinforcement (2,000-4,000 lbs.)
- Drawer Packages
- Folding Steps & Grab Handles
- Fuel Fill (Alum.)
- Headache Racks (Cab Guards)
- High Roof Enclosures
- Hitches & Hooks
- Ladder Racks
- Light Kits – LED
- Louver Vents
- Low Sliding Roof
- Off-Road Mounting Kits
- Paint and Primer
- Pipe Carrier
- Power Door Locks
- RHINO Liner
- Tie-Down Rings
- Tire Carrier
- Top Paks (add-on)
- Trays with Dividers
- Treadbrite Overlay

Due to constant product evaluations and improvements, specifications are subject to change without notice.

STAHL / Scott Fetzer Company

3201 W. Old Lincoln Way
Wooster, OH 44691

P: 800.277.8245 F: 330.264.0300

stahltruckbodies.com/CST

STAHL
TRUCK BODIES & CRANES