

MANUFACTURED IN AMERICA

TOW & RECOVERY

TOWMAN'S™ CERTIFIED LIGHTING & ACCESSORIES

WHELEN ENGINEERING COMPANY, INC.



WHELEN
MANUFACTURED IN AMERICA

Table of Contents

- Towman's™ Series4
- Traffic Advisor™6
- Light Arrays7
- Core™ Control Systems10
- Lighthoods12
- Beacons18
- White Illumination.....19
- Spotlights25



Visit us at whelen.com
To learn about our full line of emergency lighting and warning products.



To download WeCad™, Whelen Command®, and Pioneer™ Designer go to whelen.com/software-downloads

@WhelenENG



About Whelen

Whelen Engineering designs and manufactures reliable and powerful warning lights, white illumination lighting, sirens, controllers, and high-powered warning systems for Automotive and Mass Notification industries worldwide.

Whelen products have been proudly designed and manufactured in America since 1952. With quality as the foundation, Whelen celebrates innovative engineering with every product made.

Manufactured in America for Over 70 Years
We never left and we're here to stay.



Chester, Connecticut facility



Charlestown, New Hampshire facility

WARNING: This product may contain chemicals known to the State of California to cause cancer and birth defects or other reproductive harm. For more information, visit whelen.com/regulatory.

Tech Glossary

BroadBand Blue™

BroadBand Blue delivers a higher intensity, creates a larger optical image, and produces a more consistent color, all while being easier on the eyes - especially at night.

Conformal Coating

A thin material that conforms to the contours of the PCB to protect the electronic components from harsh environments and impact.

DUO™

Two-color interleaved LEDs

DUO+™

Two-color interleaved LEDs with independent control of color one and color two

DVI™

DVI patterns gradually increase and decrease warning light intensity, which better conveys visual information to approaching motorists at night. These patterns clearly indicate when a vehicle is parked and improves a driver's ability to safely navigate around a work zone.

DYAD™

Two-level technology

Encapsulated

Lighthoods are fully encapsulated for moisture and vibration resistance.

Hard-Coat

Whelen's industry-first innovative Hard-Coating process counteracts the effects of environmental and chemical damages to our lenses and domes.

Linear-LED® - (Super-LED®)

Whelen's optimized use of the latest generation of LEDs and unique reflector optics to produce highly intense light that has superior wide-angle visibility and rivals strobe in performance.

Low Current

Low current function wires require less than 0.25 amp to operate, allowing for simple operation of each lightbar function.

ProFocus™

Whelen's innovative single optic LED technology that can be customized and programmed as a spotlight or floodlight, with no moving parts.

Proclera® Silicone Optics

Whelen's innovative and efficient solution to distorted optical shape and fringe lighting. Proclera Optics feature 100% internal silicone optic technology, an increased ability to harness LED output and better direct and focus light, and a fully-filled square TIR™ optic to increase optic efficiency compared to a conventional circular TIR.

Rota-Beam™

Solid-state "rotating" technology, simulating the appearance of a rotating beacon without any moving parts or motors for long-life reliability.

Scan-Lock™

Whelen's advanced method of changing a products flash pattern. Scan-Lock utilizes an external wire to allow the user to cycle through the entire range of flash patterns, allowing for full customization.

Scan-Lock™+

The Scan-Lock+ app is the simplest way to change Whelen flash patterns. Designed for optimal convenience, Scan-Lock+ features an easy to use interface and utilizes a Bluetooth connection. Download the Scan-Lock+ app and browse, test, and assign Whelen flash patterns right from your phone.

SOLO™

Single-color LEDs

Split

Two-color lighthead where each color fills half of the reflector

SmartLED®

Whelen's distinctive use of self-contained electronics to power and flash a particular LED product. These products require no external flasher, ballast, or power supply to operate.

Standard Current

Lightbar functions are wired directly to the switching device and require switches that are matched to the current draw of the desired functions to be activated.

Steady-Lock™

A time-saving feature that allows Whelen's most popular warning lighthoods to be set to Steady automatically when used with a CenCom Core® system.

Super-LED®

Whelen's innovative LED technology

Sync

Sync provides the ability to connect multiple Whelen devices to flash together or in alternating patterns. Products with this capability allow the user to create coordinating flashing schemes.

TIR™ - (Total Internal Reflection)

Whelen's optimized use of the latest generation of LEDs and unique reflector optics to produce highly intense light that can be directional in nature.

TRIO™

Three-color interleaved LEDs with independent control of color one, color two, and color three

WeCad™

Engineered for optimal accessibility, WeCad lightbar designer delivers the ability to design custom Whelen lightbars with every available option. Adding R65 compliant options is simple, and a bill of materials will be generated to make ordering fast and easy.

WeCan®

Whelen's proprietary CAN-based communication system

WeCanX®

Whelen's smartest and most powerful CAN-based communication system. WeCanX provides true system synchronization, greater speed capabilities, expanded peripheral add-ons, and full support of diagnostics.



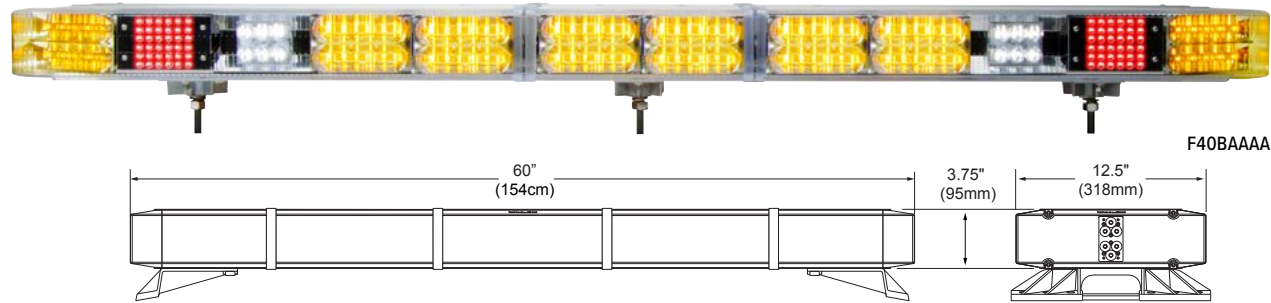
Warranty Disclaimer

WeCanX models have a 10-year warranty on I/O boards and lighthoods. WeCan models have a 2-year warranty on I/O boards and a 10-year warranty on lighthoods. Low Current models have a 5-year warranty on I/O boards and a 10-year warranty on lighthoods. These warranties go into effect January 1, 2024.

For our full warranty statement please visit www.whelen.com/warranty

Towman's™ Series Lightbars

Towman's Freedom® IV

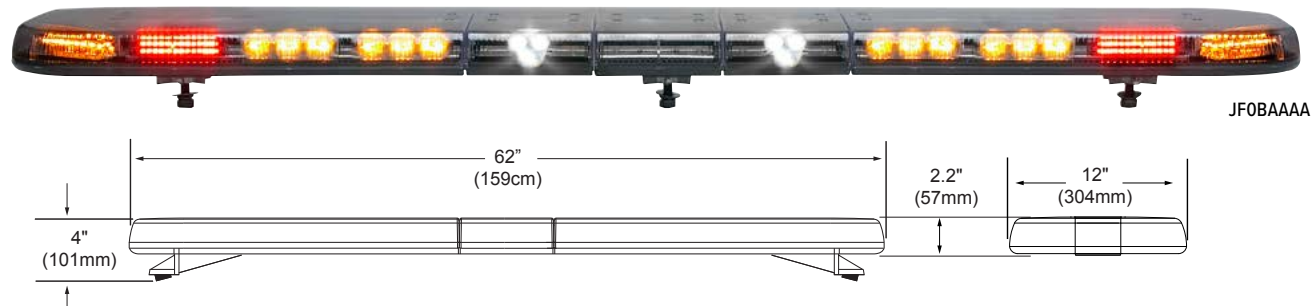


Towman's Liberty™ II

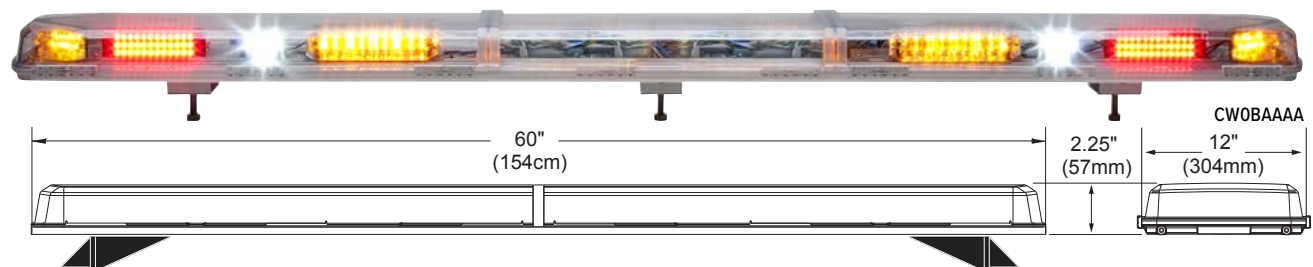
PROCLERA
SILICONE OPTICS



Towman's Justice® Competitor™



Towman's Century™



Towman's™ Series Lightbars

- SAE Class 1 Certified
- Liberty™ II models feature Whelen's Proclera® Silicone Optics for increased clarity (available in work lights)
- Front/rear warning lights are controlled separately
- Includes rear-facing LED brake/tail/turn signals
- Three adjustable slide bolt mounts
- Consult pricelist or WeCad™ for all available options, including WeCanX® models

Model	Series	Lighthoods	Inboard Warning Lights	Patterns	Base	VDC	Lenses
IW0BAAAA	Liberty II	4 Linear-LED® Corners, 2 Super-LED® Work Lights, 2 LED Brake/Tail/Turn Lights	2/Front, 4/Rear	WeCan®	Extruded Aluminum I-Beam	12	Clear
CW0BAAAA	Century™	4 Linear-LED Corners, 2 Super-LED Work Lights, 2 LED Brake/Tail/Turn Lights	4 Amber Linear-LEDs (2/Front, 2/Rear)	Action-Scan™			Color Lenses Standard
F40BAAAA	Freedom® IV	4 Bi-Level Linear-LED Corners, 2 Super-LED Work Lights, 2 LED Brake/Tail/Turn Lights	2/Front, 6/Rear (Add Up To 12 Optional Linear Lighthoods In Pairs)	Signal-Alert™ 75			Clear Outer Standard, Color Available
JF01AAAA*	Justice®	4 Linear-LED Corners, 2 Super-LED Work Lights, 2 LED Brake/Tail/Turn Lights	6 Amber CON3™	Action-Scan	Black Polycarbonate Base On Extruded Aluminum Platform		Clear Outer Standard, Color Available
JF02AAAA*		4 Linear-LED Corners, 2 Super-LED Work Lights, 2 LED Brake/Tail/Turn Lights, Identification Light					
JF0BAAAA		4 Linear-LED Corners, 2 Super-LED Work Lights, 2 LED Brake/Tail/Turn Lights					
JF0DAAAA		5 Amber CON3 & Traffic Advisor™					
JF0FAAAA		14 Amber CON3					

Liberty II Options	
Model	Description
IWDLA	Long 6, Super-LED Lighthood, Amber
IWDSA	Short 3, Super-LED Lighthood, Amber
Justice Option	
JDC*	One CON3

Replace * symbol in model number with letter indicating color desired:
A = Amber, B = Blue, R = Red, C = White

Century Options	
Model	Description
CEDLXA	One LIN12™, Amber
CDT6A	One TIR6, Amber
Freedom IV Option	
F4EDLA	One Single-Color Long Economy DYAD™ Lighthood, Amber

Traffic Advisor™



Light Arrays



Traffic Advisor Front Load **ISOLO™**

- Interior or exterior applications
- Black powder-coated aluminum extrusion
- Left arrow, right arrow, split arrow, and warning function
- Fully encapsulated
- 15' cable standard, alternate cable lengths available, contact factory

Model	Lamps	Lighthoods	Control Head	VDC	Compliance	Dimensions
TANF85	8	500 Series Linear-LED®	Includes TACTL5 Control Head	12	SAE Class 1	45.13" (115cm) L x 2.38" (60mm) H x 2.38" (60mm) D
TACF85		500 Series CON3™ Super-LED®				



Traffic Advisor TAC8 (Economy) **ISOLO™**

- TAC8 includes compact control head easily mounted 3 different ways: VHB tape, Velcro™ or Permanent mount hardware
- 15' cable standard, extra length cables available
- Black extruded aluminum housing
- Four operating modes: left, right, split, or flashing
- Rear dip switch provides 8 flash pattern choices

Model	Lamps	Lighthoods	Description	VDC	Compliance	Dimensions
TAC815	8	SOLO™ Super-LED	15' Cable, and Includes Control Head	12	SAE Class 1	47.75" (121cm) L x 2" (50mm) H x 2.64" (70mm) D
TAC830			30' Cable, and Includes Control Head			
TAC850			50' Cable, and Includes Control Head			



WeCanX® 2250 **DUO™**



- Utilizes powerful T-Series™ lighthoods with patented E Block™ technology
- IP67 rated lighthoods
- 3" slimmer than 4500 series
- Flush mount (slide bolt)
- Powered by WeCanX technology
- Functionality configurable in Whelen Command®
- Lighthood configurations easily defined within Whelen's WeCad™ Software
- DUO™ support in warning light options
- Aerial recognition option
- Includes two angled end caps

Model	Modules	VDC	Compliance	Dimensions	Length
WX2230	6	12/24	SAE Class 1	1.66" (42mm) H x 2.28" (58mm) D	30" (76cm)
WX2240	8				40" (102cm)
WX2250	10				50" (127cm)
WX2260	12				60" (153cm)
WX2270	14				70" (178cm)
WX2280	16				80" (203cm)
Traffic Advisor™ Model	Modules	VDC	Compliance	Dimensions	Length
TA2230F	6	12/24	SAE Class 1	1.66" (42mm) H x 2.28" (58mm) D	30" (76cm)
TA2240F	8				40" (102cm)

*Note: TA Models are Not WeCanX

Tracer™ WeCanX® Series

TCRWX5

- Dynamic Variable Intensity™ (DVI™) light patterns
- Vehicle-to-Vehicle Synchronization
- Available in SOLO™ (single-color) or DUO™ (two-color interleaved) modules
- Whelen Command® programming allows:
 - DUO modules to operate with a steady override, such as White steady-burn
 - Full configurability of Traffic Advisor™ functionality
 - Adjustable intensity levels of cruise light control
- Mounts easily via slide bolt with vehicle specific brackets, universal “L” brackets, or under lightbar brackets
- Works with existing Tracer mounting hardware
- SAE Class 1 certified
- Hard-coated lenses resist environmental damage from sand, sun, salt, and road chemicals

Model	SOLO Lightheads	VDC	Dimensions	Length
TCRWX1	1 Lamp Housing and TCRWXP* SOLO Lighthead. “L” Bracket Mounting (2 Required) Purchased Separately	12	0.93” (24mm) H x 2.04” (52mm) D	13.80” (35cm)
TCRWX2	2 Lamp Housing and TCRWXP*/TCRWXS* SOLO Lightheads. “L” Bracket Mounting (3 Required) Purchased Separately			26.16” (66.5cm)
TCRWX3	3 Lamp Housing and TCRWXP*/TCRWXS* SOLO Lightheads. “L” Bracket Mounting (4 Required) Purchased Separately			38.53” (98cm)
TCRWX4	4 Lamp Housing and TCRWXP*/TCRWXS* SOLO Lightheads. “L” Bracket Mounting (5 Required) Purchased Separately			50.90” (129.5cm)
TCRWX5	5 Lamp Housing and TCRWXP*/TCRWXS* SOLO Lightheads. “L” Bracket Mounting (6 Required) or Vehicle Specific Mounting Purchased Separately			63.26” (161cm)
TCRWX6	6 Lamp Housing and TCRWXP*/TCRWXS* SOLO Lightheads. “L” Bracket Mounting (7 Required) or Vehicle Specific Mounting Purchased Separately			75.62” (192cm)
TCRWXP*	Primary SOLO Lighthead Includes Lamp Driver, One Required in Position 1, for Each SOLO Tracer, Blue, Amber or White. No Charge When Ordered With the Appropriate Housing			
TCRWXS*	Secondary SOLO Lighthead, Blue, Amber or White. For use in Positions 2-6. No Charge When Ordered With the Appropriate Housing			

Model	DUO Lightheads	VDC	Dimensions	Length
TCRWX1	1 Lamp Housing and TCRWXP# DUO Lighthead. “L” Bracket Mounting (2 Required) Purchased Separately	12	0.93” (24mm) H x 2.04” (52mm) D	13.80” (35cm)
TCRWX2	2 Lamp Housing and TCRWXP# DUO Lightheads. “L” Bracket Mounting (3 Required) Purchased Separately			26.16” (66.5cm)
TCRWX3	3 Lamp Housing and TCRWXP#/TCRWXS# DUO Lightheads. “L” Bracket Mounting (4 Required) Purchased Separately			38.53” (98cm)
TCRWX4	4 Lamp Housing and TCRWXP#/TCRWXS# DUO Lightheads. “L” Bracket Mounting (5 Required) Purchased Separately			50.90” (129.5cm)
TCRWX5	5 Lamp Housing and TCRWXP#/TCRWXS# DUO Lightheads. “L” Bracket Mounting (6 Required) or Vehicle Specific Mounting Purchased Separately			63.26” (161cm)
TCRWX6	6 Lamp Housing and TCRWXP#/TCRWXS# DUO Lightheads. “L” Bracket Mounting (7 Required) or Vehicle Specific Mounting Purchased Separately			75.62” (192cm)
TCRWXP#	Primary DUO Lighthead Includes Lamp Driver, One Required in Position 1, for Each DUO Tracer, Blue, Amber or White. No Charge When Ordered With the Appropriate Housing			
TCRWXS#	Secondary DUO Lighthead, Blue, Amber or White. For use in Positions 2-6. No Charge When Ordered With the Appropriate Housing			

Replace * symbol in model number with letter indicating color desired: A = Amber, B = Blue, R = Red, C = White
 Replace # symbol in model number with letter indicating color combo desired: F = Amber/White K = Red/Amber M = Blue/Amber

Consult current price list for full list of available options at whelen.com/literature.



Dominator™ & Dominator Plus™

- SAE Class 1 Certified
- TIR3™ (3-diode) or LINZ6™ (6-diode) Super-LED® modules
- Multiple Scan-Lock™ flash patterns
- Extruded aluminum Black powder-coated housing
- Slide bolt mount



Model	Diode	VDC	Dimensions
D2AA	3 Diode	12	7” (178mm) L x 1.19” H (30mm) x 2.19” (56mm) D
D4AAAA			14” (365mm) L x 1.19” H (30mm) x 2.19” (56mm) D
DP2AA	6 Diode		7” (178mm) L x 1.19” H (30mm) x 2.19” (56mm) D
DP4AAAA			14” (365mm) L x 1.19” H (30mm) x 2.19” (56mm) D

CenCom Core® Control Systems

- Powered by WeCanX®
- Seamlessly integrates with the Whelen Command® software
- Command can process over 65,000 virtual inputs
- Vehicle-to-Vehicle Sync and Dynamic Variable Intensity™ (DVI™) light patterns better convey visual information to approaching motorists
- Supports remote firmware updates through USB-C with Command or over-the-air with the Whelen Cloud Platform®
- Please consult price list for full list of models and ordering information

Core-R™

Core-R is a vehicle control system engineered to enhance first responder and motorist safety with complete configurability, advanced automation, and remote connectivity.

- Supports any combination of up to 99 WeCanX devices
- Small footprint: 5.46" W x 5.76" H x 1.11" D
- Simple install: Two screws, top access connectors
- Modular design to mount in many different places
- High-Current Remote Expansion Module integrates scene lights into WeCanX system control
- Operates high-current lightheades like Scene Lights, eight 75-Watt or four 150-Watt Pioneer™ lightheades
- 4 outputs at 15 amps each
- 8 total inputs
- Meets all applicable SAE and California Title XIII requirements with various Whelen speakers



CORE-R™

Core-C™

Core-C is the heart of a sophisticated warning light system for work trucks. Delivering enhanced WeCanX safety features with plug-and-play ease of installation, it combines the intelligence of a WeCanX controller with the functionality of a control head in one compact package.

- Small footprint: 3.4" W x 4.4" H x 1.18" D
- Simple installation in a console or using factory-provided mounting hardware
- Supports one primary WeCanX warning device
- Supports one Remote Expansion Module to bring DVI and intelligent lighting control to a vehicle's peripheral lighting like Vertex™, ION™, or Micron™ lightheades
- 1 input, 1 output



CORE-C™

Core-S™

The newest addition to Whelen's industry-leading Core family of control systems, Core-S™ is a true one-box solution. Its space-saving design allows for installation in tight spaces like in a console or under a dash. And installation has never been easier with connector placement specifically designed for hard-to-reach areas. Core-S features a siren, input/output, and control functionality in one compact box along with an integrated control head.

- 6.93" W x 3.66" H x 6.51" D
- 11 total inputs
- 11 total outputs



CORE-S™



**ALL WHELEN DEVICES,
ONE SEAMLESS
EXPERIENCE**

When you use WeCanX® products, CenCom Core®, or the Whelen Cloud Platform®, you're able to do incredible things to keep everyone safe. When you use them together, you can fully integrate and connect your Whelen products.

Whelen Cloud Platform® (WCP®)



The Whelen Cloud Platform is a cloud-based vehicle communication platform that sends and receives data through cellular networks. Manage vehicle configurations and firmware updates over-the-air, create faster response times with real-time information to pinpoint vehicle locations, and easily organize your fleet and Whelen product information. New features and updates are continuously being added to the Whelen Cloud Platform, ensuring your fleet is always up-to-date with the latest technologies and capabilities.

Vehicle Safety Gateway® (VSG®)

The Vehicle Safety Gateway (VSG) bridges connectivity to provide over-the-air communication from the Whelen Cloud Platform to CenCom Core and WeCanX devices. The VSG communicates to the Whelen Cloud using its own SIM card and a separate low-profile antenna.



LIGHTHEADS



M Series™ DUO™ DVI ENABLED

With a unique lens shape and patented Linear-LED® designed reflector assembly, M Series lightheads are completely illuminated for unmatched high-intensity warning and low current consumption. Select models are now available with DUO™ functionality and include new features such as Dynamic Variable Intensity™ (DVI™) light patterns and our patented E Block™ technology that protects lightheads from the elements by creating a watertight seal around the units' stranded wires.

- SAE Class 1 Certified
- Patented Linear-LED® designed reflector assembly
- Clear or Amber lens
- Multiple Scan-Lock® flash patterns
- Easily mounts to surface with two screws
- DUO™ enabled

M2 Series Model	VDC	Dimensions
ML2*	12/24	3.7" (93mm) W x 2" (53mm) H x 0.9" (23mm) D
ML2*C		
ML2D#		
M4 Series Model	VDC	Dimensions
M4*	12/24	5.50" (138mm) W x 3.37" (86mm) H x 1.4" (35mm) D
M4*C		
M4D#		
M4V2A		
M6 Series Model	VDC	Dimensions
M6*	12/24	6.75" (170mm) W x 4.31" (109mm) H x 1.4" (35mm) D
M6*C		
M6V2A		
M6D#		
M7 Series Model	VDC	M7 Series Dimensions
M7*	12/24	7.62" (194mm) W x 3.37" (86mm) H x 1.4" (35mm) D
M7*C		
M7D#		
M9 Series Model	VDC	M9 Series Dimensions
M9*	12/24	10.4" (263mm) W x 6.5" (165mm) H x 1.4" (35mm) D
M9*C		
M9D#		

Replace * symbol in model number with letter indicating color desired: A = Amber, C = White
 Replace # symbol in model number with interleaved color desired: F = Amber/White, K = Red/Amber, M = Blue/Amber



Brake/Tail/Turn Lights

Model	Series	Description	Dimensions
M6FCV2	M6	Chrome Flange, Two Light, Vertical, Lightheads Purchased Separately	7.01" (178mm) W x 10.40" (264mm) H x 1.56" (39mm) D
M6FCV3		Chrome Flange, Three Light, Vertical, Lightheads Purchased Separately	7.01" (178mm) W x 14.45" (368mm) H x 1.56" (39mm) D
M6FCV4		Chrome Flange, Four Light, Vertical, Lightheads Purchased Separately	7.01" (178mm) W x 18.52" (471mm) H x 1.56" (39mm) D



Shown with M6 Series Lightheads

Vertex™ Series DUO™

- Omni-directional lighthouse
- Produces light in a hemispheric pattern
- 25 Scan-Lock® flash patterns
- Designed to mount in composite style headlight or taillight, or surface mount to exterior surfaces with flange mount option
- Includes 9' cable
- DUO™ enabled

Model	VDC	Dimensions
VTX609*	12	1" (26mm) H x 1.63" (41mm) Dia.
VTX9#		

Replace * symbol in model number with letter indicating color desired: A = Amber, C = White
 Replace # symbol in model number with interleaved color desired: F = Amber/White



OS™ Series

- Small and versatile LED lighting for virtually any area of a vehicle
- One flash pattern and built-in flasher
- Easily mounts to surface with two screws
- Includes Chrome flange
- Fully encapsulated lamp and in-line lamp driver for moisture and vibration resistance
- Includes 6" pigtail

Model	VDC	Dimensions
OSA00FCR	12	1.50" (38mm) W x 0.9" (22mm) H x 0.50" (13mm) D

See pg 24 for OS White Illumination



Micron™ Series

- SAE Class 1 Certified
- Linear Super-LED® Optics
- 25 Scan-Lock™ flash patterns
- Easily mounts to surface with two screws
- Includes Black flange
- Includes 6" pigtail
- Fully encapsulated for moisture, vibration, and corrosion resistance
- Hard-coated lenses resist environmental damage from sand, sun, salt, and road chemicals

Model	VDC	Dimensions
MCRNS*	12	4.04" (109mm) W x 0.89" (23mm) H x 0.83" (21mm) D

Replace * symbol in model number with letter indicating color desired: A = Amber, C = White



ION™ Series DUO™

- SAE Class 1 Certified
- Directional or wide-angle light spread optic
- SOLO™ models have 33 Scan-Lock™ flash patterns
- DUO™ models have 69 Scan-Lock flash patterns
- Surface mount model includes Black flange
- Wide-angle model is universal mount
- Universal mount model includes combination permanent/pedestal, clip, edge mounts, double sided tape. Choice of Black or White housings
- Optional pedestal, bail bracket and grommet mounts are available
- Includes 6" pigtail



IONA



I2F

SOLO Model	VDC	Surface Mount Dimensions	Wide-Angle & Universal Dimensions
ION*	12	5.9" (150mm) W x 1.7" (43mm) H x 1.13" (28mm) D	4" (102mm) W x 1" (25mm) H x 1.25" (32mm) D
WION*			
DUO Model	VDC		
I2#	12	4" (101mm) W x 1" (25mm) H x 1.25" (32mm) D	

Replace * symbol in model number with letter indicating color desired: A = Amber, C = White
 Replace # symbol in model number with interleaved color desired: F = Amber/White, K = Red/Amber, M = Blue/Amber



TLIA

T-Series™ DUO™ TRIO™

- SAE Class 1 Certified
- Extreme low profile, ultra thin lighthouse
- SOLO models have 25 Scan-Lock flash patterns
- DUO and TRIO™ models have 33 Scan-Lock flash patterns
- Easily mounts to surface with two screws
- Includes Black flange
- Includes 4-wire 6" pigtail

Model	VDC	Dimensions
TLI*	12	5.2" (131mm) W x 1.50" (38mm) H x 0.50" (13mm) D
TLI2#		
TLIKC		
TLIMC		
TLI3#*		

Replace * symbol in model number with letter indicating color desired: A = Amber, C = White
 Replace # symbol in model number with interleaved color desired: F = Amber/White, K = Red/Amber, M = Blue/Amber

Mini T-Series™ DUO™

- SAE Class 1 Certified
- Linear Super-LED optics
- SOLO models have 25 Scan-Lock flash patterns
- DUO models have 33 Scan-Lock flash patterns
- Synchronize to other Whelen sync products
- Easily mounts to surface with two screws
- Includes Black flange and a 4-wire 6" pigtail
- Rated IP67 for dust and water resistance

Model	VDC	Dimensions
TLM1*	12	3.34" (85mm) W x 1.50" (38mm) H x 0.50" (13mm) D
TLM2#		

Replace * symbol in model number with letter indicating color desired: A = Amber, C = White
 Replace # in model number with interleaved color desired: F = Amber/White, K = Red/Amber, M = Blue/Amber



TLMIA

ION™ V-Series™

- SAE Class 1 Certified
- 3-in-1 180° wide-angle warning, illumination, and puddle light
- 25 Scan-Lock™ flash patterns
- Includes Chrome flange
- Easily mounts to surface with two screws
- Includes 6" pigtail
- Optional bail/swivel bracket in Black or White, pedestal mount in Black or Chrome and rubber grommet

Model	VDC	Dimensions
IONSV1AC	12	4" (104mm) W x 1" (26mm) H x 2.2" (56mm) D



IONSV1AC

V23™ V-Series

- SAE Class 1 Certified
- 3-in-1 combination 180° wide-angle warning, flood/alley, and ground illumination
- 26 Scan-Lock flash patterns
- Built-in flasher
- Includes surface mount flange in Chrome or Black
- Optional pedestal mount and angled flange for mounting on a curved body panel of any vehicle

Model	VDC	Dimensions
V23ATPB	12	4.28" (109mm) W x 2.69" (68mm) H x 1.50" (38mm) D
V23ATPC		



V23ATPB with V23PEDB

TIR3™ / LIN3™

- SAE Class 1 Certified
- TIR3 optic is directional, LIN3 optic produces a 180° light spread
- 25 Scan-Lock flash patterns
- Easily mounts to surface with two screws
- Includes Black flange
- Includes 6" pigtail
- Hard-coated lenses resist environmental damage from sand, sun, salt, and road chemicals
- Fully encapsulated for moisture, vibration, and corrosion resistance

Model	Series	VDC	Dimensions
RSA02ZCR	LIN3	12	3.50" (89mm) W x 1.13" (28mm) H x 1.25" (32mm) D with flange
RSA03ZCR	TIR3		



RSA03ZCR



RSA02ZCR

LINZ6™

- SAE Class 1 Certified
- 25 Scan-Lock flash patterns
- Easily mounts to surface with two screws
- Includes Black flange
- Low current draw
- Fully encapsulated for moisture, vibration, and corrosion resistance

Model	VDC	Dimensions
LINZ6A	12	4" (102mm) W x 2" (50mm) H x 1.63" (40mm) D



LINZ6A



2G & 5G Series

- SAE Class 1 Certified
- 15 Scan-Lock™ flash patterns
- Requires additional mounting hardware, visit whelen.com for a complete list of available options
- Hard-coated lenses resist environmental damage from sand, sun, salt, and road chemicals
- Fully encapsulated for moisture, vibration, and corrosion resistance
- 12" pigtail and vinyl grommet included

Model	Series	VDC	Dimensions
2GA00FAR	2G	12	5.50" (140mm) Dia. x 1.25" (31mm) D (with grommet)
2GFLANGC			
5GA00FAR	5G	12	7.44" (189mm) W x 3.19" (81mm) H x 1.25" (32mm) D (with grommet)
5GC00WCR			

3" Round

- 3 Super-LED® diodes
- 160 FPM
- Easily mounts to surface with two screws
- Aluminum housing
- Includes 6" pigtail
- Hard-coated lenses resist environmental damage from sand, sun, salt, and road chemicals
- Conformal coated electronics for moisture and vibration resistance

Model	VDC	Dimensions
3SA00FAR	12	3" (76mm) W x 0.54" (14mm) D

4" Round

- SAE Class 1 Certified
- 25 Scan-Lock flash patterns
- Includes 6" pigtail
- Hard-coated lenses resist environmental damage from sand, sun, salt, and road chemicals
- Conformal coated electronics for moisture and vibration resistance

Flat Lens

- TIR6™ Super-LED with synchronize feature
- Easily mounts to surface with two screws

Extended Lens

- LINZ6™ Super-LED with synchronize feature
- Requires additional mounting hardware, visit whelen.com for a complete list of available options

Model	VDC	Dimensions
2FA00ZAR	12	4.25" (108mm) Dia. x 1.19" (30mm) D
2EA00ZAR		4.25" (108mm) Dia. x 2" (51mm) D



500 Series

- SAE Class 1 Certified
- Available with Linear Super-LED® or TIR6™ Super-LED optics
- 25 Scan-Lock™ flash patterns
- Requires additional mounting, visit whelen.com for a complete list of available options
- Includes 6" pigtail
- Hard-coated lenses resist environmental damage from sand, sun, salt, and road chemicals
- Conformal coated electronics for moisture and vibration resistance

Model	VDC	Dimensions
50A02ZAR	12	5" (127mm) W x 1.63" (41mm) H x 1.75" (44mm) D
50A03ZAR		5" (127mm) W x 1.63" (41mm) H x 1.38" (35mm) D



500 V-Series™

- SAE Class 1 Certified
- 25 Scan-Lock flash patterns
- Requires additional mounting hardware, visit whelen.com for a full list of available options
- Includes 6" pigtail

Model: 5V3A

- 3-in-1 combination 180° wide-angle warning, flood/alley, and ground illumination

Model: 5V1A

- Single color combination 180° and TIR™ directional warning light

Model	VDC	Dimensions
5V3A	12	5.38" (137mm) W x 2.13" (54mm) H x 1.63" (42mm) D
5V1A		



600 Series Rota-Beam™

- SAE Class 1 Certified
- Solid-state "rotating" technology simulates the appearance of a rotating lighthouse without any moving parts or motors
- 14 Scan-Lock flash patterns
- Easily mounts to surface with two screws
- Includes 6" pigtail

Model	VDC	Dimensions
6RBAC	12	6.58" (167mm) W x 4.17" (106mm) H x 3.45" (88mm) D



Beacons



White Illumination



L31 & L32 Series SOLO™



L31HAF



L32LAF

- SAE Class 1 Certified
- UV-coated dome
- Super-LED® beacon
- Powder-coated die-cast base
- Conformal coated electronics for moisture and vibration resistance
- Virtually no RFI/EMI radiation
- Full reverse polarity protection

- Alternately or simultaneously flash multiple patterns with up to 8 Whelen Super-LED 360° beacons (permanent mount)
- Smooth polycarbonate outer dome
- Hard-coated domes minimize environmental damage from sand, sun, salt, and road chemicals
- Rated for thousands of hours of use
- Available in permanent, magnetic, or magnetic/suction mount models

Model	VDC	Dimensions
L31HAF	12	7.19" (182mm) W x 4" (102mm) H
L32LAF		7.19" (182mm) W x 2.63" (67mm) H

The use of a magnetic or suction mounted beacon on the roof of a vehicle in motion is not recommended, and is at the sole discretion and risk of the user. Consult current price list for full list of available options at whelen.com/literature.

WorkSide™ Light

WorkSide lights are a game-changer when it comes to illuminating the immediate perimeter of your vehicle. Light is projected down and out, so your workspace is clearly visible, without causing any eye discomfort or blinding glare when looking at it straight on. WorkSide lights are quick to install, sleek, and low-profile for easy mounting on virtually any area of a vehicle, including tight spaces where depth is a concern. And its compact, space-saving design makes it ideal for any emergency, work, or utility vehicle. By providing exceptional work zone illumination and improved visibility around a vehicle's perimeter, WorkSide creates a safer working environment for first responders, utility workers, and motorists.



WSLB

- Light is projected down and out to a 10'x10' ground area for increased visibility and expanded view of work areas
- Sleek, low-profile, Strip-Lite™ style footprint
- Patented E Block™ technology prevents moisture from entering the lighthouse
- Multiple turn-on styles ranging from instant to gradual (Slow, Medium, Fast, Instant)
- Three low-power settings provide situation-specific lighting for a variety of scenarios
- Hard-coated lenses minimize environmental damage from sand, sun, salt, and road chemicals
- Low power and low current consumption
- IP67 rated

Model	VDC	Dimensions
WSLC	10-30	14.23" (362mm) W x 2.29" (59mm) H x 1.03" (27mm) D
WSLB		

C = Chrome, B = Black



M6 & M9 EZ Scene Light™

The M6 and M9 EZ Scene Lights feature expanded zone efficiency, enhanced optics, and increased functionality to provide a powerful scene lighting solution for every situation. Plus, select from multiple turn-on styles and low-power settings for more efficient lighting output and performance. M Series™ lightheades feature a unique lens shape and patented Linear-LED® reflector assembly for unmatched high-intensity illumination with low current consumption.

- Redesigned optic aesthetics, light output, and light pattern optimize light dispersion
- Gradient Opti-Scenelight™ technology enables efficient use of light
- Hard-coated lenses minimize environmental damage from sand, sun, salt, and road chemicals
- Three low-power settings provide situation-specific lighting for a variety of scenarios
- Easily mounts to surface with two screws
- 6" pigtail cable included



M92SLB



M62SLC

M9 Model	VDC	Dimensions
M92SLB	12/24	10.35" (263mm) W x 6.28" (160mm) H x 2.39" (60mm) D
M92SLC		
M6 Model	VDC	Dimensions
M62SLB	10-30	6.77" (172mm) W x 4.37" (111mm) H x 1.71" (44mm) D
M62SLC		

C = Chrome, B = Black

600 & 900 EZ Scene Light™

Our premium 600 and 900 EZ Scene Lights provide optimal versatility and performance. Featuring high-intensity white illumination with expanded options and functionality, these adaptable lightheades supply powerful scene lighting for a wide range of situations. Multiple vehicle application options are available, and installation is easy.

- Redesigned optic aesthetics, light output, and light pattern optimize light dispersion
- Gradient Opti-Scenelight™ technology enables efficient use of light
- Hard-coated lenses minimize environmental damage from sand, sun, salt, and road chemicals
- Multiple turn-on styles ranging from instant to gradual (Slow, Medium, Fast, Instant)
- Three low-power settings provide situation-specific lighting for a variety of scenarios
- Easily mounts to surface with two screws
- 6" pigtail cable included



904SLC



604SLC

900 Model	VDC	Dimensions
904SLC	12/24	10.82" (275mm) W x 8.0" (204mm) H x 2.63" (67mm) D
904SLB		
600 Model	VDC	Dimensions
604SLC	10-30	8.27" (210mm) W x 5.20" (132mm) H x 1.76" (44mm) D
604SLB		

C = Chrome, B = Black

Pioneer™ Series

- Injection molded polycarbonate lenses are impact resistant and hard-coated to minimize environmental damage from sand, sun, salt, and road chemicals
- Die-cast aluminum powder-coated housing in Black or White
- 100% solid-state electronics are instant On/Off
- Correlated Color Temperature (CCT) of 5,700° Kelvin simulates bright, midday light
- Models emit zero EMC radiation, will not interfere with portable communication devices and meets CISPR25 Class 5 levels

Pioneer Nano™

- Three or six diode models
- 8° spotlight pattern, standard. Includes additional 40° x 20° floodlight lens
- Optic lens changes via four screws
- Powder-coated stainless steel bail bracket with 3/8"-16 stud carriage bolt mount



Model	VDC	Diodes	Dimensions
NP3BW	12	3	3.50" (89mm) W x 2.25" (57mm) H x 1.75" (44mm) D
NP6BB		6	3.50" (89mm) W x 3" (76mm) H x 1.75" (44mm) D

W = White, B = Black

Pioneer Micro™

- 8° spotlight pattern comes standard. Includes three additional optic lenses for a light pattern choice of:
 - 90° x 20° wide flood
 - 40° x 20° flood
 - 40° x 8° horizontal flood
- Optic lens changes via four screws
- Powder-coated stainless steel bail bracket with 3/8"-16 stud carriage bolt mount



Model	VDC	Dimensions
MPBW	12	4.75" (121mm) W x 4.25" (108mm) H x 2.8" (71mm) D
MPBB		

W = White, B = Black

Pioneer Slimline™

- Single Lamp Models: 8° spotlight pattern comes standard. Includes additional 40° x 20° flood lens
- Dual Lamp Models: 8° spotlight pattern comes standard. Includes two additional optic lenses for a light pattern choice of:
 - Dual 40° x 20° flood
 - 8° spot and 40° x 20° flood
- Mounts via powder-coated stainless steel bail bracket or pedestal/swivel mount



Model	VDC	Bail	Dimensions
PSL1BB	12	Single Bail/Stud	7.06" (179mm) W x 3.23" (83mm) H x 2.72" (69mm) D
PSL2BB		Dual Bail/Stud	12.66" (322mm) W x 3.23" (83mm) H x 2.72" (69mm) D
PSL1P		Single Pedestal/Swivel	7.06" (179mm) W x 3.23" (83mm) H x 2.72" (69mm) D

Pioneer & Pioneer Plus™

- Single, Dual, and Max Pioneer Plus scene/work/floodlights/spotlights
- Requires additional mounting hardware, visit whelen.com for a complete list of available options
- Increase clarity with Whelen's Proclera™ Silicone Optics for spot/flood lights

Model	Panel	Voltage	Dimensions
PCH1	Single	12 VDC	8.19" (208mm) W x 4.25" (108mm) H x 3" (77mm) D
PCH2	Dual		14.06" (357mm) W x 4.25" (108mm) H x 3" (77mm) D
PCP3	Max		14.06" (357mm) W x 4.25" (108mm) H x 3" (77mm) D



PCH2



PCH1

Pioneer Plus Surface Mount

- Combination spot/flood optic design
- Single or dual panel models

Model	Panel	VDC	Dimensions
PCPSM1B	Single	12	8.97" (228mm) W x 6.37" (162mm) H x 1.72" (44mm) D
PCPSM1C			
PCPSM2B	Dual	12	16.22" (412mm) W x 6.37" (162mm) H x 1.72" (44mm) D
PCPSM2C			



PCPSM1C



PCPSM2C

Pioneer Poles, Folding Tripods, & Ground Tripods

- 57" poles, 3 sizes of folding tripod, and ground tripod options
- Please consult current price list for models and options



Perimeter Enhancement Light

- White light is projected downward at a 40° angle for widespread ground illumination
- Mounts to vertical surfaces and may be mounted inverted
- Molded rubber gasket protects body panels
- Supplied with 6" pigtail connector (requires customer supplied switching)

Model	VDC	Color	Flange Color	Dimensions
PEL2C	12	White	Chrome	7.90" (201mm) W x 2.69" (69mm) H x 2.00" (51mm) D
PEL2B			Black	
PEL2W			White	
PEL2R			Red	
PEL2Y			Yellow	
PEL2C*			Chrome	
PEL2B*		Black		
PEL2W*		White		
PEL2R*		Red		
PEL2Y*		Yellow		
PEL2C#		Two-Color Amber/White, Amber/Blue	Chrome	
PEL2B#			Black	
PEL2W#			White	
PEL2R#			Red	
PEL2Y#	Yellow			

Replace * symbol in model number with letter indicating desired color: A = Amber, B = Blue, C = White
 Replace # symbol in model number with letter indicating color combo desired: F = Amber/White, M = Amber/Blue



PEL2C



PEL2B



PEL2R



PEL2W

OS™ Series

- Fully encapsulated for moisture, vibration, and corrosion resistance
- Hard-coated lenses resist environmental damage from sand, sun, salt, and road chemicals
- Easily mounts to surface with two screws
- Includes Chrome flange

Model	VDC	Dimensions
OSCOEDCR	12	1.50" (38mm) W x 0.9" (22mm) H x 0.5" (13mm) D
OSCO0FCR		1.88 (48mm) W x 0.95" (24mm) H x 0.84" (21mm) D
OACOEDCR		



OSCO0FCR



OSCOEDCR

SPOTLIGHTS



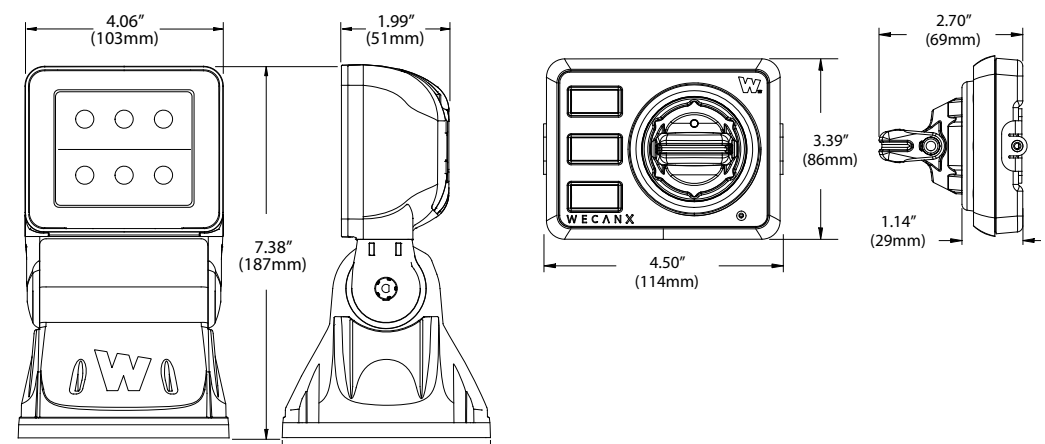


Arges® Remote Spotlight PROCLERA ProFocus.

- Innovative mechanical design provides 360° of continuous rotation and a 180° tilt range
- ProFocus™ Models: 5° spot to 60° flood variable beam width
- Spotlight Models: 5° spot
- Proclera® Silicone Optics
- Black die-cast aluminum housing
- CenCom Core® and WeCanX® compatible
- Drivetrain is electronically and mechanically protected
- Arges installs quickly and requires no A-pillar drilling or airbag interference
- Includes two 18" power control harnesses and one 12" communication cable
- Control head features a paddle and three push-buttons
- Program Arges with Whelen Command® or use alone with its paired system control head
- Full Arges system passes CISPR 25 Class 3



ARGES®



Model	Description
ARGES1	5° Spotlight with Proclera Silicone Optics
ARGES2	ProFocus™, select from Spot/Flood Combination Light or Floodlight from the Control Head
ARGFM	Flat Mount, Universal

Replacement Lamps

- Drop-in replacements for outdated Halogen lamps

Model	Series	Lighting	VDC
P36SLC	PAR-36	Spot/Flood	12/24
P46SC	PAR-46	2° Spotlight	12



Handheld Spot/ Floodlights

- 90lb pull magnet mount, with 8' coiled cord and cigar plug
- Built-in push-button On/Off switch

Model	Series	Lighting	VDC
P36HHS	PAR-36	Spot/Flood	12/24
P46HHS	PAR-46	Spotlight	12

The use of a magnetic or suction mounted beacon on the roof of a vehicle in motion is not recommended, and is at the sole discretion and risk of the user.



Rubber Housing

- Rubber stud/swivel housing with stainless steel bracket and hardware

Model	Series	Lighting	VDC
P36SLCHG	PAR-36	Spot/Flood	12/24
P46SLCHG	PAR-46	Spotlight	12



PAR-36

- Available in floodlight or spotlight models
- Black die-cast aluminum housing
- Super-LED® with low current draw
- Stainless steel bracket and hardware included

Model	Lighting	VDC
PFBP12	Flood	12
PFBP12C		
PFB512		
PFB512C		
PFB56S	Spotlight	12
PSBP12		
PSBP12C		
PSBS12	Stud	12
PFBS12C		
PFBS12S		



TOW & RECOVERY

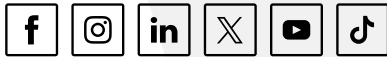
TOWMAN'S™ CERTIFIED LIGHTING & ACCESSORIES

Distributed by:

WHELEN®

MANUFACTURED IN AMERICA

@WhelenENG



NASCAR™
OFFICIAL WARNING LIGHTS

Preferred Warning Lights of



Whelen Engineering Company
(860) 526-9504
www.whelen.com

Whelen Engineering reserves the
right to upgrade and improve
products without notice.

© 2023 Whelen Engineering
Company, Inc. Printed in U.S.A.
Code No. C12098T-10/23

All products proudly designed, manufactured,
and assembled in the U.S.A.
• ISO 9001 Registered QMS