

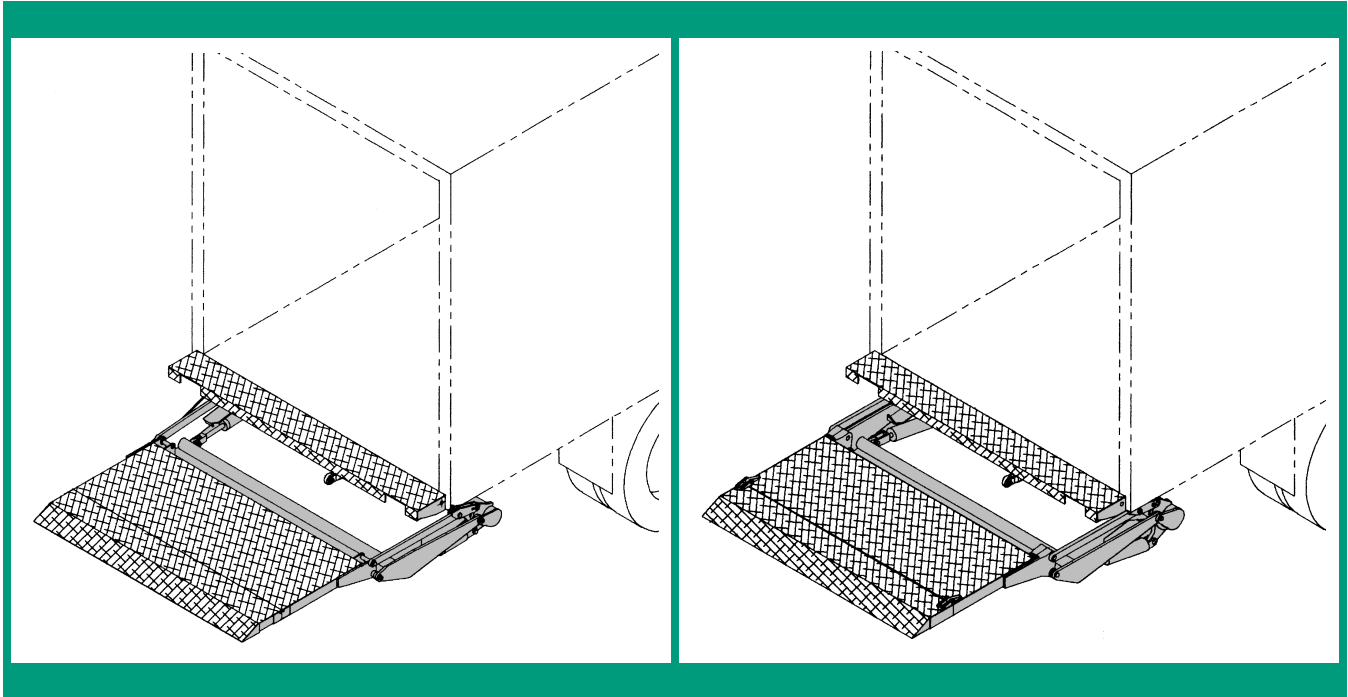
# StowAways

## Tailgates By **THIEMAN**

*Raising Performance to New Levels*

### MODEL ST-20

### MODEL ST-25/30



#### FEATURING:

- Meets TMC Electrical Guidelines
- 72" x 36" Platform Size
- Bed Height Range 42" to 54"
- 2000 lb. to 3000 lb. Capacities
- Steel and Aluminum Platforms
- Heavy Duty Lift Frames
- Dual Cylinder Lift

Built with the strongest lift frame available, the THIEMAN ST series continues to be the most durable Stowaway liftgate in the industry.

The ST-20/25/30 series is designed for use on stake bodies, van bodies, and trailers, and stores under the truck bed for direct dock loading and easy access to the cargo door.

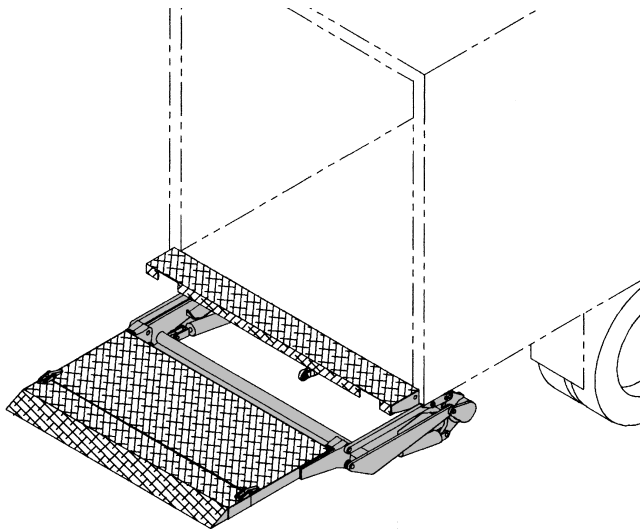
Of the many benefits the THIEMAN ST series has to offer, the one you will most appreciate is the savings through increased efficiency.



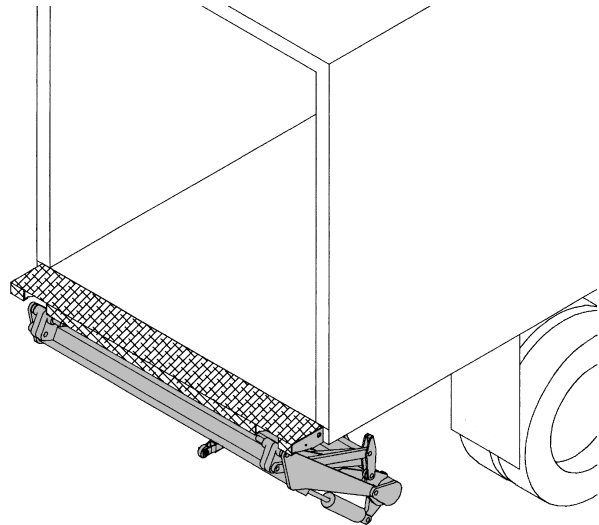
# Features, Benefits and Specifications

## MODEL ST-25/30

Platform in Loading/Unloading Position



Platform in Travel Position



### STANDARD FEATURES AND BENEFITS:

- Dual Cylinder Lift for Maximum Stability
- Adjustable Cylinder Shafts for Precise Alignment of Truck Floor and Platform
- Outside Lift Arms for Maximum Stability
- Aluminum Platform for Reduced Weight (ST25/30 Only)
- 150 Amp Circuit Breaker for Electrical Protection

- Stressproof Plated Pins with Screw-In Grease Fittings for Increased Strength and Easier Maintenance
- Heavy-Duty Pivot Points for Increased Life of Liftgate
- Meets All TMC Electrical Guidelines for Reduced Service Requirements

### AVAILABLE OPTIONS FOR ST20/25/30:

- Toggle Switch Control
- Push Button Control
- Remote Pendant Control
- In-Cab Shut Off Switch
- Standard Dock Bumpers
- Heavy Duty Dock Bumpers

- Rubber Dock Bumpers
- Power Unit Enclosure
- Light Kits
- Trailer Kits
- Snubber Kits
- PTO Power Source

MODEL NO.	PLATFORM	LOAD CAPACITY	LOWERING	INSTALL WEIGHT	BED HEIGHT RANGE
ST-20ES	72" X 36" + 6"	2000 LB.	Power	695 LB.	42" to 54"
ST-25ES	*72" X 36" + 6"	2500 LB.	Power	711 LB.	42" to 54"
ST-30ES	*72" X 36" + 6"	3000 LB.	Power	765 LB.	42" to 54"

\*Standard Aluminum Platform  
ES - Electric w/ Manual Control, Power Down

Application: Stake Bodies, Van Bodies, and Trailers

Distributed By:

**THIEMAN**  
**TAILGATES INC.**

*Raising Performance to New Levels*

600 East Wayne Street  
Celina, Ohio 45822  
Phone: (419) 586-7727 or  
800-524-5210  
Fax: (419) 586-9724  
www.thieman.com  
tailgates@thieman.com

THIEMAN Reserves the right to Change Products Specifications at any time Without Prior Notice.  
Printed in U.S.A. 9/00 • 2M • MP45922